

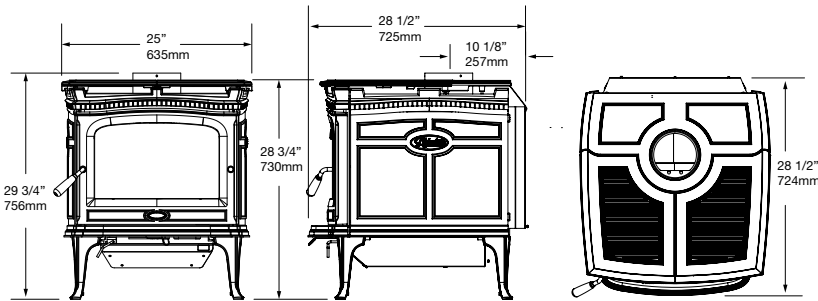


ALDERLEA T5 LE

FOR MEDIUM TO LARGE SPACES



UNIT DIMENSIONS



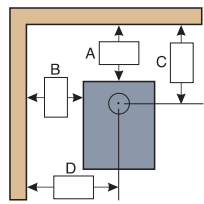
TECHNICAL DATA

38,200 BTU EPA Test Fuel

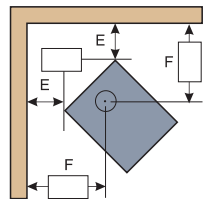
Efficiency (HHV)	71.3%
Emissions	1.8 gm/hr.
Log Size (recommended)	16"
Log Size (max)	18"
Firebox Size	2.1 cu.ft.
Viewing Area	163 sq.in.

CLEARANCES TO COMBUSTIBLES

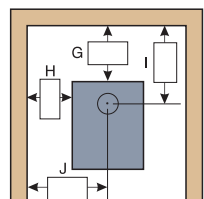
From top of stove to ceiling: **55 1/4"**



STRAIGHT



CORNER



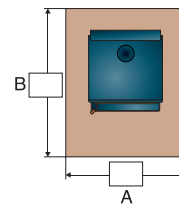
ALCOVE

	RESIDENTIAL SINGLE WALL	RESIDENTIAL DOUBLE WALL	MOBILE HOME DOUBLE WALL
A	8"	5"	5"
B	14"	14"	14"
C	18"	15"	14"
D	26"	26"	26"

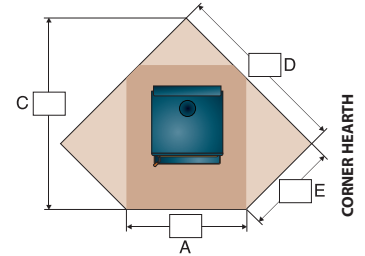
E	7"	4"	4"
F	21"	18"	18"

G	N/A	5"	N/A
H	N/A	14"	N/A
I	N/A	15"	N/A
J	N/A	26"	N/A

FLOOR PROTECTOR DIMENSIONS



STRAIGHT HEARTH



CORNER HEARTH

	MINIMUM	RESIDENTIAL SINGLE WALL	RESIDENTIAL DOUBLE WALL	ALCOVE DOUBLE WALL	MOBILE HOME
CANADA					
A	40"	40"	40"	40"	40"
B	50 3/4"	54 3/4"	47 3/4"	52 3/4"	50 3/4"
C	-	62 3/8"	58 1/8"	-	58 1/8"
D	-	58 1/4"	55 1/4"	-	55 1/4"
E	-	30"	27"	-	27"

USA					
A	34"	34"	34"	34"	34"
B	40 3/4"	52 3/4"	45 3/4"	45 3/4"	45 3/4"
C	-	60 3/8"	56 1/8"	-	56 1/8"
D	-	54 3/4"	51 3/4"	-	51 3/4"
E	-	30 5/8"	27 5/8"	-	27 5/8"